

# Quoin Mobile Cart

1. Slide bin out and remove contents. (Fig. 1)
2. Install plastic extrusions onto legs of tray cover. (Fig. 2)
3. Place tray cover in top tray of ped. Place tray pad on tray cover. (Fig. 3)

Fig. 1

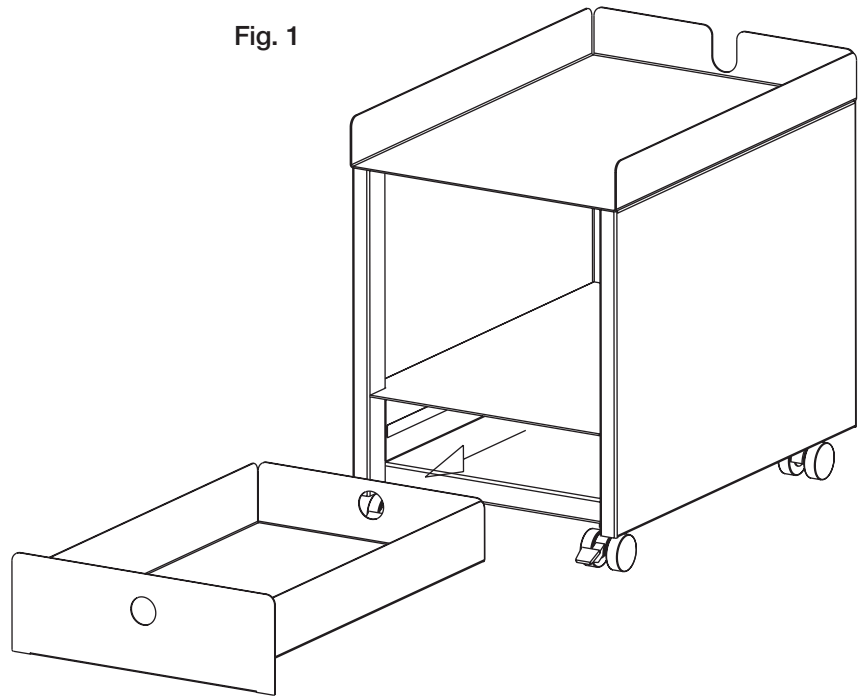


Fig. 2

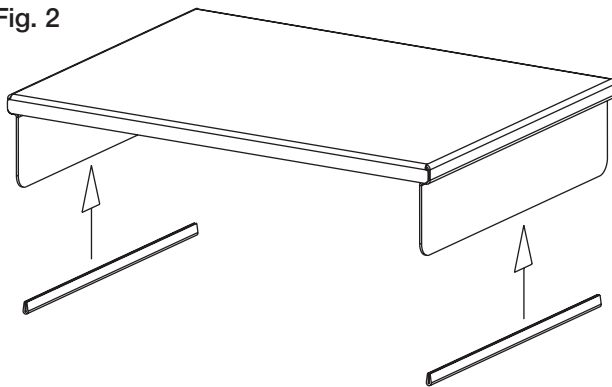


Fig. 3

