

Rockwell Unscripted® Creative Wall® Install Instructions

Sliding Door to Creative Wall

Pattern Numbers Represented:

4"x4" Sliding Door Beam, **UBXSF4**__
 Sliding door assembly including tracks and accessories, **UBST90B**__
 Fixed glass walls (no doors), **UBFT90B**__
 Peel and stick handle, **UBSH27**

Tools needed:

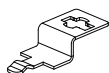
Hex keys: 2mm; 2.5mm
 T handle hex keys: 2.5mm
 Open wrench, 3/4"
 Thin open wrench, M6 * *Note: part (BC) has a built-in M6 wrench*
 Power driver
 Bits: #2 Phillips; T30
 Plumb bob
 Hack/chop saw for cutting aluminum extrusions
 Scissors/box cutter
 Tin snips
 Torque wrench with T30 drive
 Rubber mallet
 Glass suction cups lifters
 Painter's tape
 Tools for ground attachment hardware installation (*ground attachment hardware not provided by Knoll*)
 Tools for caulk installation (*caulk not provided by Knoll*)

Small Parts

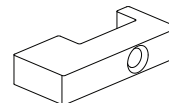
(F) 6AJ4024 - Spring Nut, 1/4-20, black



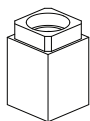
(BB) 6AJ1642 - Post Bracket, Sliding Door



(BG) 6AJ1330 - Spacer, Wall Channel



(AW) 6AJ1601 - Post Mount



(BC) 6AJ1660 - End Cap Wrench, Sliding door with VHB



(BM) 6AJ1548_ - Flexible extrusion profile, fixed glass spacer, peel and stick



(AZ) 6AJ1645 - Bumper, post base, sliding door



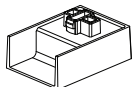
(BD) 6AJ1648 - Top closeout plus VHB, sliding door



(BT) 6AJ4400 - VHB Tape, vertical closeout, 3M 4910, 3/4 x 88in



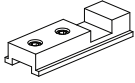
(BA) 6AJ1604 - Post base, sliding door



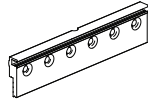
Rockwell Unscripted Sliding Door to Creative Wall, continued

Klein Accessories Kit

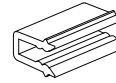
(BE) 6AJ1619 - Soft close stop, sliding door, Klein



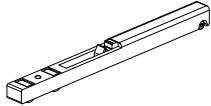
(BK) 6AJ1649001 - Large door clamp



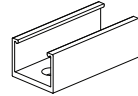
(BL) 6AJ1653001 - Plastic clip, door clamp



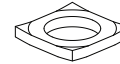
(BF) 6AJ1541 - Glide, sliding door, Klein



(BN) 6AJ1634001 - Floor glide, sliding glass door



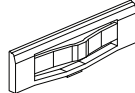
(GM) 6AJ1545 - Washer, square, bent, glass door clamp



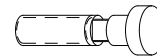
(BH) 6AJ1649003 - Small, outer door clamp



(BP) 6AJ154201 - Spacer, A, sliding glass door floor glide



(GN) 6AJ1544 - Bolt, glass door clamp

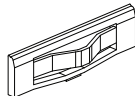


Grouped for service parts

(BJ) 6AJ1649002 - Small, inner door clamp with set screw



(BQ) 6AJ154202 - Spacer, B, sliding glass door floor glide



(GQ) 6AJ162701 - Machine screw, M6 x 14mm, Torx flat head, zinc



Grouped for service parts

Other Hardware

(FC) 6AJ4017 - Machine screw, button head, 1/4-20 x 1", black, w/lockpatch



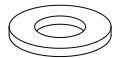
(GJ) 2668A03H02 - Screw, drill tip, pan head Phillips, #10 x 1/2", zinc kit of 20



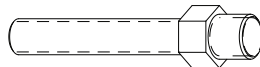
(GL) 6AJ1233 - Nut, hex, jam, 1/2-13, black



(FM) 6AJ4028 - Washer, SAE 1.06 OD x .53 ID x .08 THK



(GK) 6AJ1647 - Post bolt



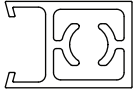
(GP) 6AJ4096 - Machine screw, 1/4-20 x 1.00 flat head Phillips, black



Rockwell Unscripted Sliding Door to Creative Wall, continued

Extrusion profiles

(EA) 6AJ1641_ (vert) Post, aluminum



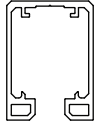
(EF) 6AJ1635_ (vert/horiz) floor track/
vertical closeout, aluminum



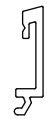
(PB) 6AJ1650_ (horiz) fixed glass slide-in,
rubber



(EB) 6AJ1632_ (horiz) sliding door track,
aluminum



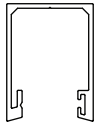
(EG) 6AJ1636_ (vert/horiz) cover, floor track/
vertical closeout, aluminum



(PC) 6AJ1652_ (vert/horiz) fixed glass push-in,
rubber



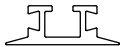
(EC) 6AJ1631_ (horiz) Fixed glass top track,
aluminum



(EH) 6AJ1633_ (horiz) valence cover,
aluminum



(ED) 6AJ1637_ (horiz) Fixed glass insert cover
Top Track, aluminum



(PA) 6AJ1651_ (horiz) fixed glass slide-in,
plastic + rubber



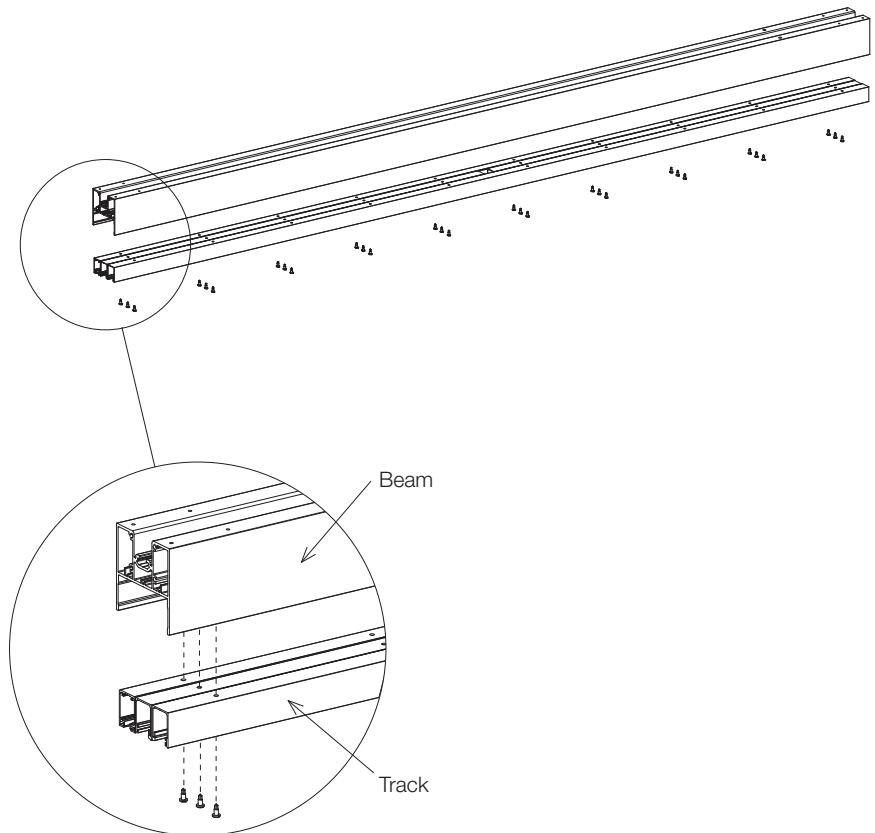
Rockwell Unscripted Sliding Door to Creative Wall, continued

Sight preparation:

- A. Sliding door installation floor location should be verified level within 1" prior to ordering glass.
- B. Sliding door beam assemblies are always mounted to Creative Wall sections or Creative Wall posts.
- C. Adjacent Creative Wall sections must be attached to the floor in locations nearest the sliding door, otherwise the Creative Walls will shift due to the sliding door motion.
 - Fasteners for ground attachment to be specified and supplied by site engineer or contractor assigned to the project.
- D. Adjacent Creative Walls need to be installed level, square and plumb first before beginning sliding door installation.

Planning the assembly:

1. Beams have three track installation locations.
 - a. Determine a location for sliding door(s).
 - i. There will always be a sliding door post next to fixed glass at the door opening.
 - b. Determine a location for fixed glass.
 - c. Determine which track location(s) will not be used for sliding door or fixed glass. Most installations will have at least one track location that is not used.
 - i. Exception: a two sliding door assembly that is separated by fixed glass.
 - ii. It is recommended that sliding door goes on outside track relative to office or room interior.

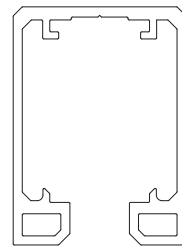
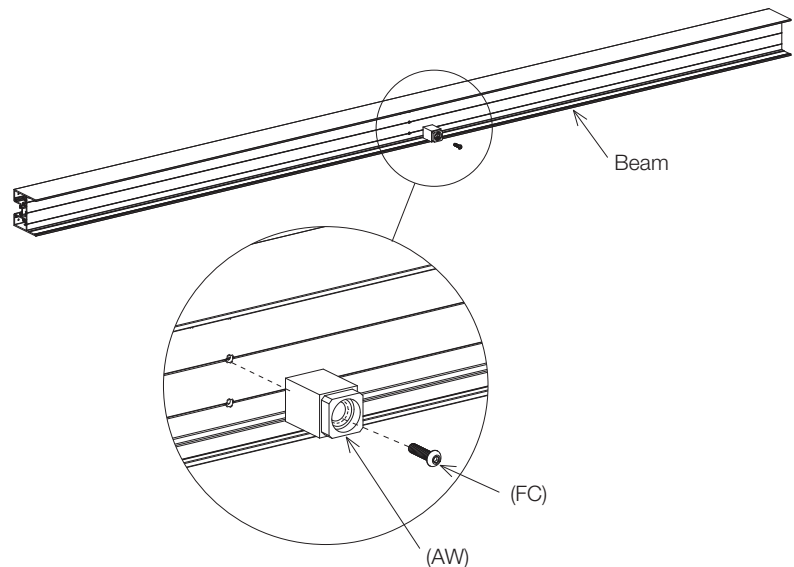


Rockwell Unscripted Sliding Door to Creative Wall, continued

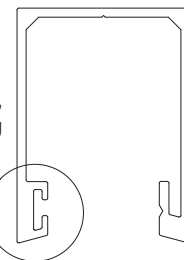
Pre-build the Beam:

Note: This should be done with beam sitting upside down on floor or workbench before installation to walls.

1. Install post mount (AW) to beam with screw (FC).
2. Fit up sliding glass track (EB) to beam.
 - a. Sliding glass track (EB) will be the same length of the beam, but slightly shorter to accommodate manufacturing tolerance.
3. Fit up fixed glass tracks (EC) to beam.
 - a. Fixed glass tracks will be in line with the post mount (AW) from step 1.
 - b. Fixed glass tracks (EC) will be used if there is no fixed glass or sliding glass.
 - c. Recommendation for single door assemblies: Put slide-in feature (see circle to the right) near sliding glass Track.
4. Balance gaps between end of tracks and end of beams and post mount.
5. Install drill-tip screws (GJ) to attach tracks to beam. All screw holes should be used.
 - a. Vacuum, brush out, or blow out chips from self-drilling screws. This is **important**, failure to do so can affect sliding door function.

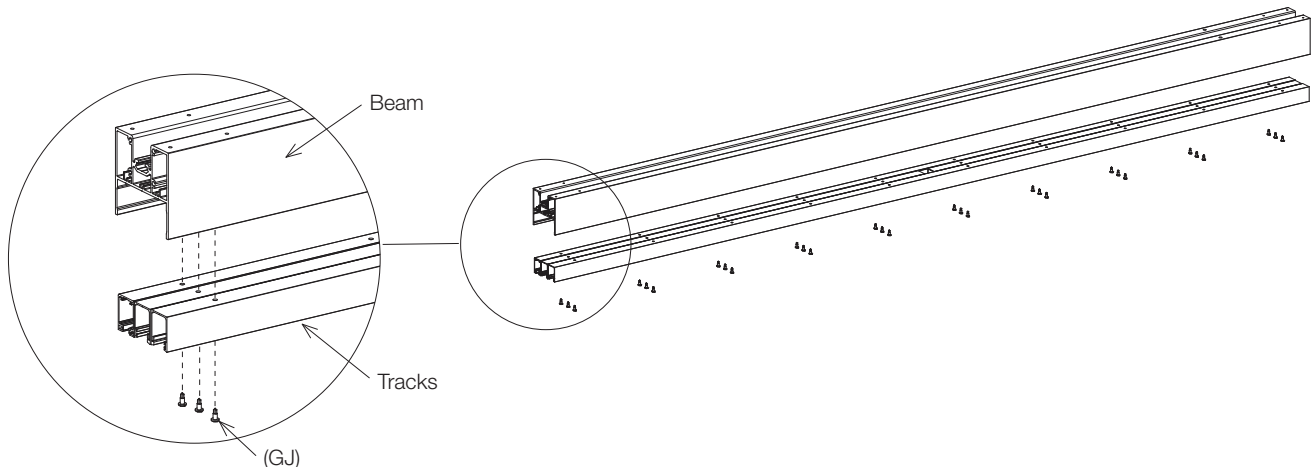


(EB)
Sliding glass track



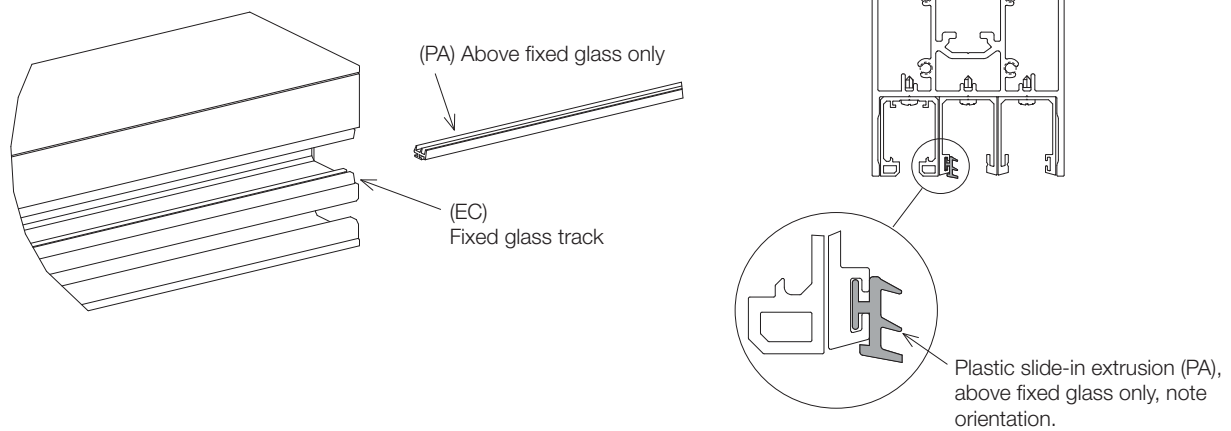
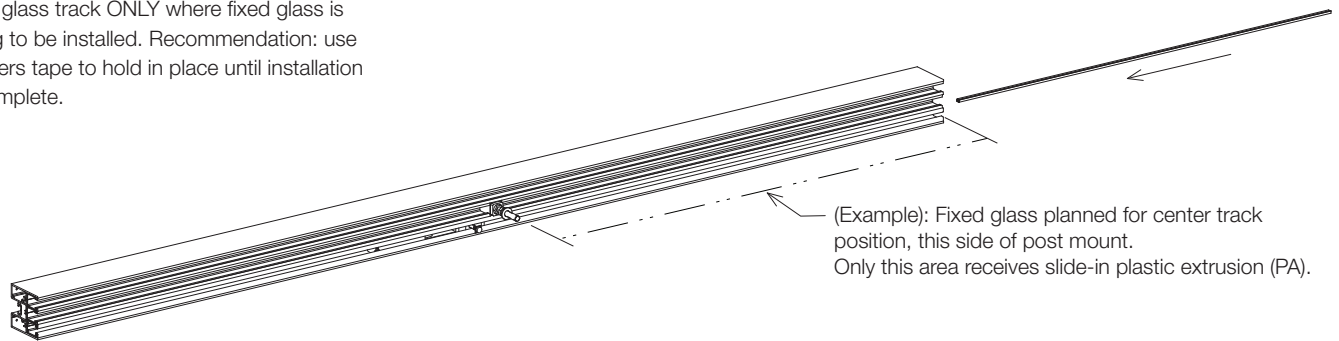
(EC)
Fixed glass track

Slide in feature,
put near sliding
door track



Rockwell Unscripted Sliding Door to Creative Wall, continued

6. Install slide-in plastic extrusion (PA) into fixed glass track ONLY where fixed glass is going to be installed. Recommendation: use painters tape to hold in place until installation is complete.



7. Assemble square washer (GM) to bolt (GN). Install bolt to sliding door glide mechanisms (BF) and load spring.

- a. Make sure springs are loaded on door glide mechanism (BF).
- b. Make two assemblies per door.

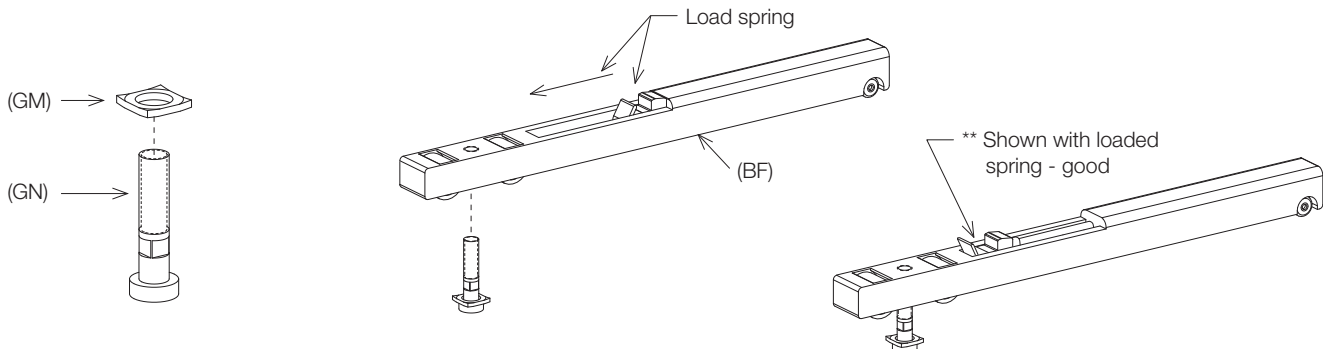


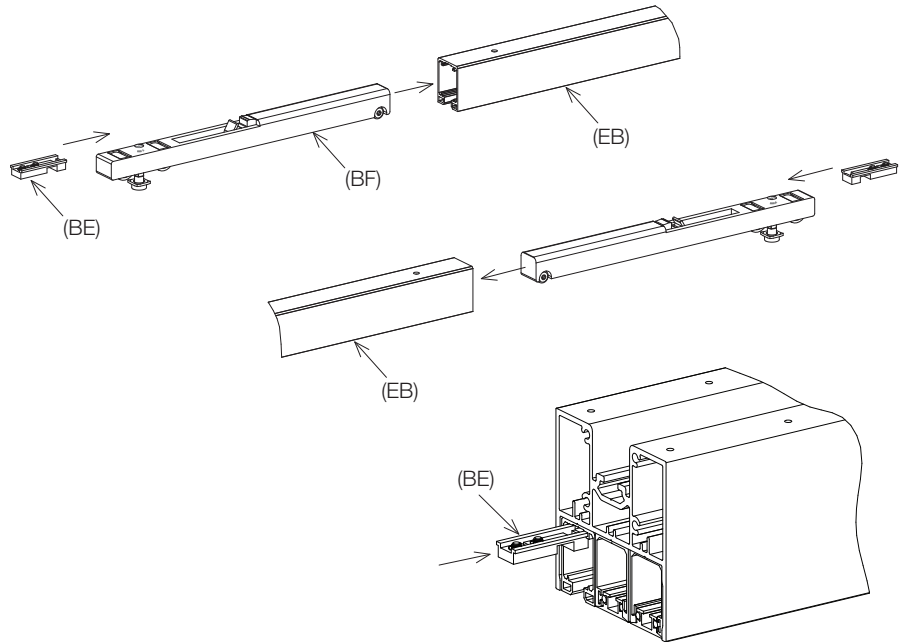
Fig. 7

Fig. 7a

Rockwell Unscripted Sliding Door to Creative Wall, continued

8. Install door glide mechanism assembly (BF) from step 7 to sliding door track(s) (EB).

- a. There will be two glide mechanisms (BF) per door.
- b. The glide mechanisms (BF) point towards one another. The larger pair of rollers point towards the outside edges of the glass door.



9. Install soft close stops (BE) to sliding door track(s) (EB).

- a. There will be two soft close stops (BE) per door.
- b. The soft close stops (BE) point toward one another.
- c. Soft close stops should be positioned 6-1/16" from where the door is supposed to stop.
- d. Tighten two set screws per soft close stop (BE) with 2.5mm hex key.

Fig. 9c, 9d

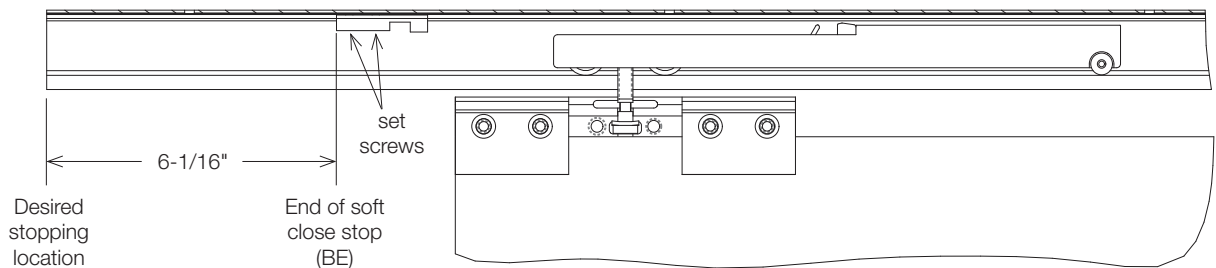
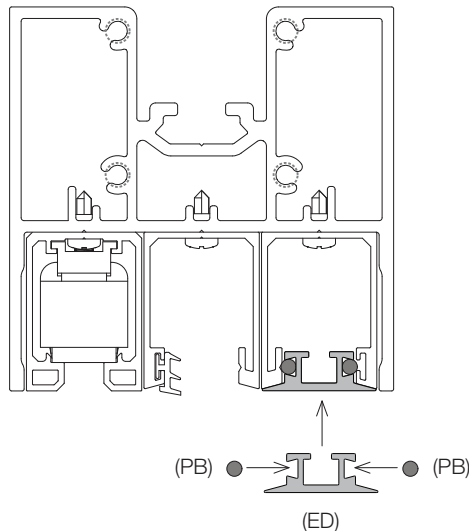


Fig. 10, 11

10. Install round rubber extrusion (PB) to track cover (ED).

- a. Round rubber extrusion (PB) should run the entire length of track cover (ED) on both sides of the track cover (ED).

11. Snap install track covers (ED+PB) to fixed glass track in locations where fixed glass is not going to be.



Rockwell Unscripted Sliding Door to Creative Wall, continued

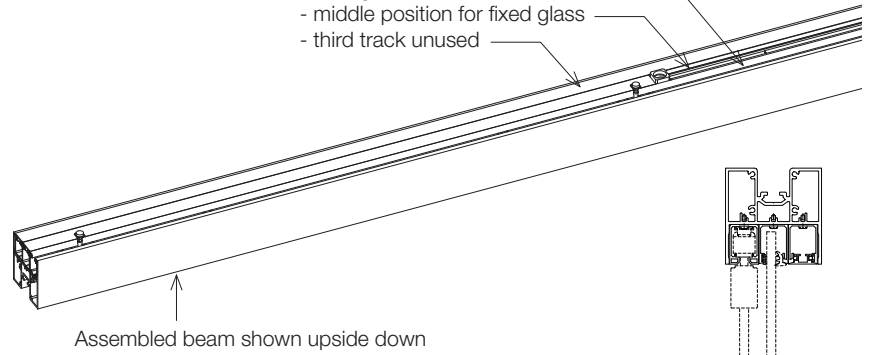
IMPORTANT: Before installing beam to Creative Wall system, walk through this checklist.

Beam pre-assembly checklist:

- All three track locations have tracks installed.
 - Fixed glass track above fixed glass location has slide in extrusion installed (Step 6).
 - Fixed glass tracks that do not have fixed glass have covers installed (Step 11)

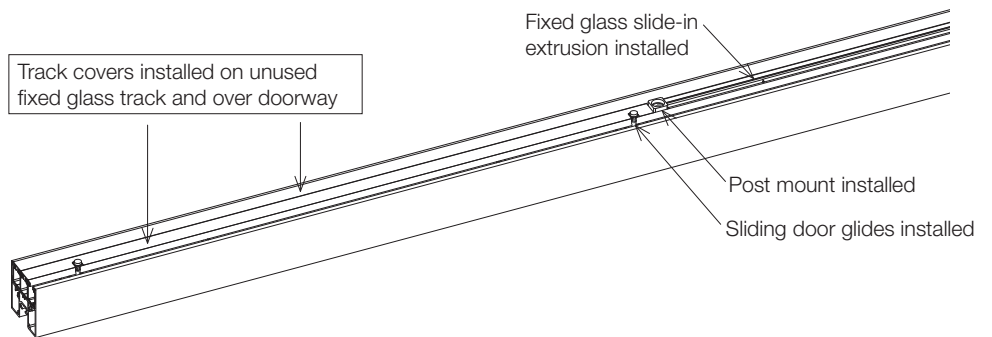
Pre-assembled beam example:

- sliding door track in outer position
- middle position for fixed glass
- third track unused

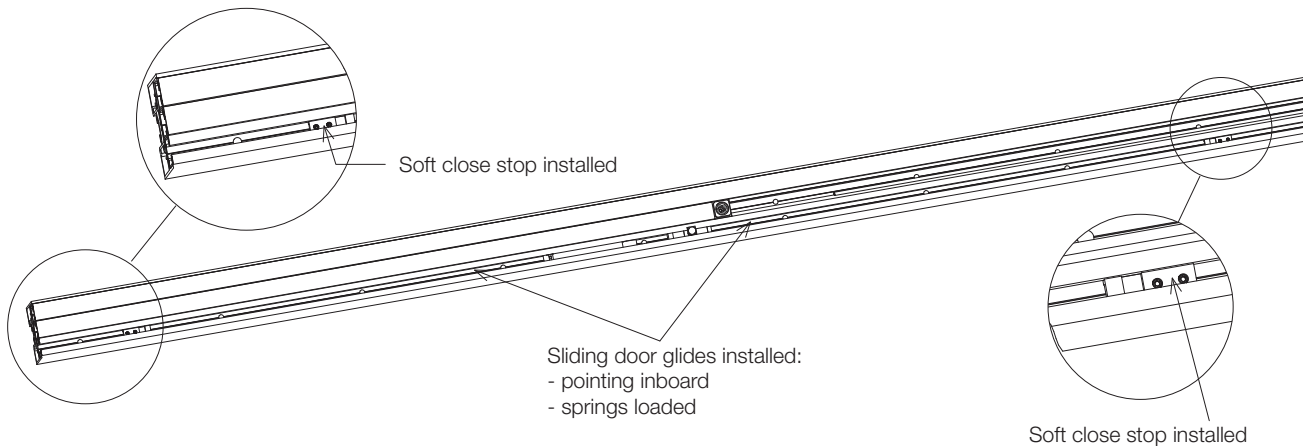


- Sliding door track has two door glides installed per door.

- The door glide has a bolt and washer installed to it. The washers open towards the door glides (Step 7)
- The door glide springs must be pre-loaded (Step 7a)
- The door glides point inboard towards the door (Step 8b).



- Sliding door track has two soft close stops installed per door (Step 9)



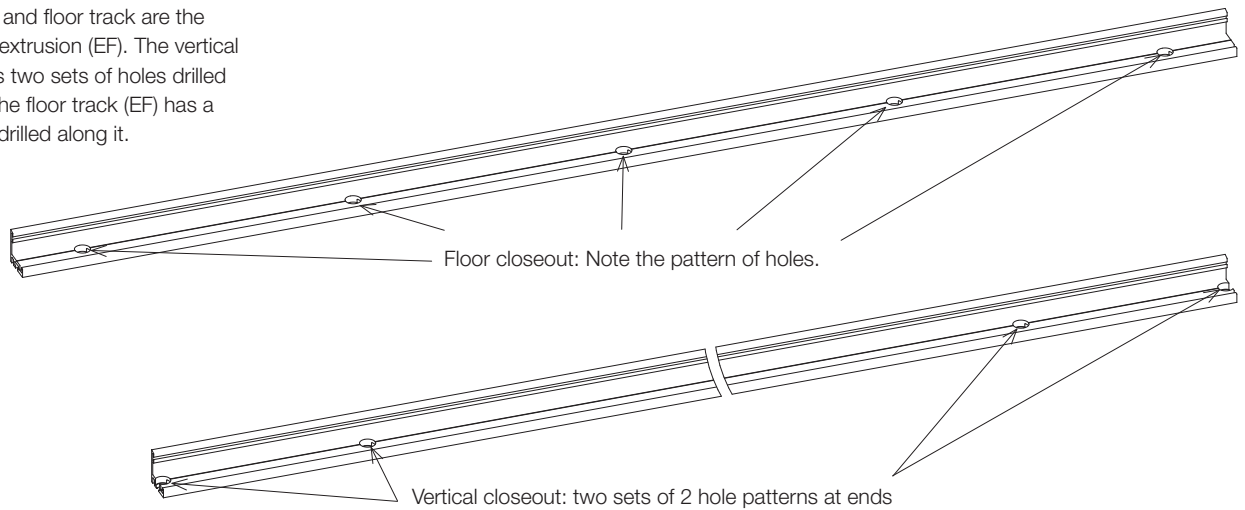
Rockwell Unscripted Sliding Door to Creative Wall, continued

12. Install beam to Creative Wall. Follow Rockwell Unscripted ® Creative Wall ® Beam to Wall Frame or Beam to Post Connection installation instructions as posted online at <https://www.knoll.com/design-plan/resources/literature/installation-instructions/>

Vertical closeout – between fixed glass and Creative Wall or Creative Wall post.

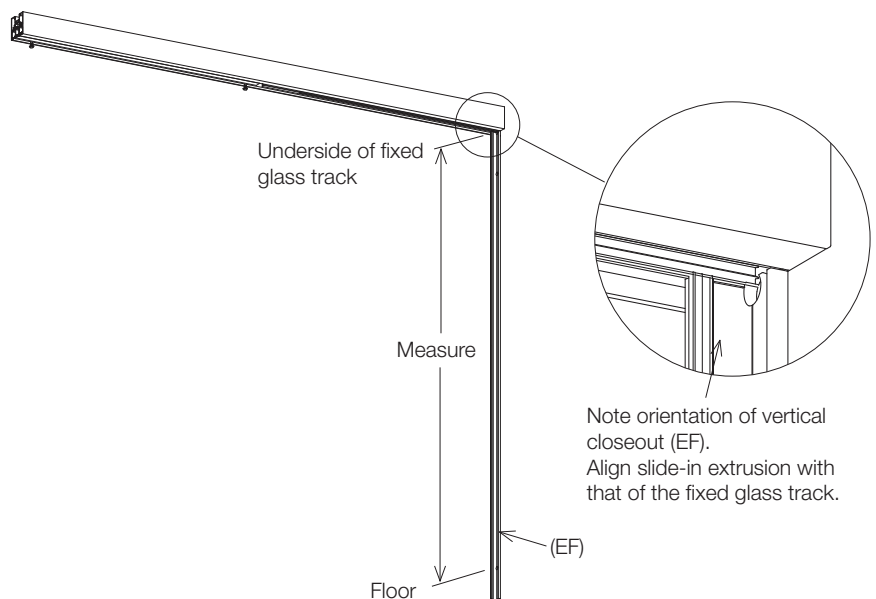
NOTES:

- Creative Walls with sliding door overhead beam must be plumb and level before beginning to install sliding door / fixed glass to Creative Walls.
- Vertical closeout and floor track are the same aluminum extrusion (EF). The vertical closeout (EF) has two sets of holes drilled near the ends. The floor track (EF) has a pattern of holes drilled along it.



13. Vertical closeout (EF) is shipped oversize so that it can be field cut to required height. Measure distance between underside of fixed glass track to floor where vertical closeout (EF) will be installed. Cut end should be installed along the ground.

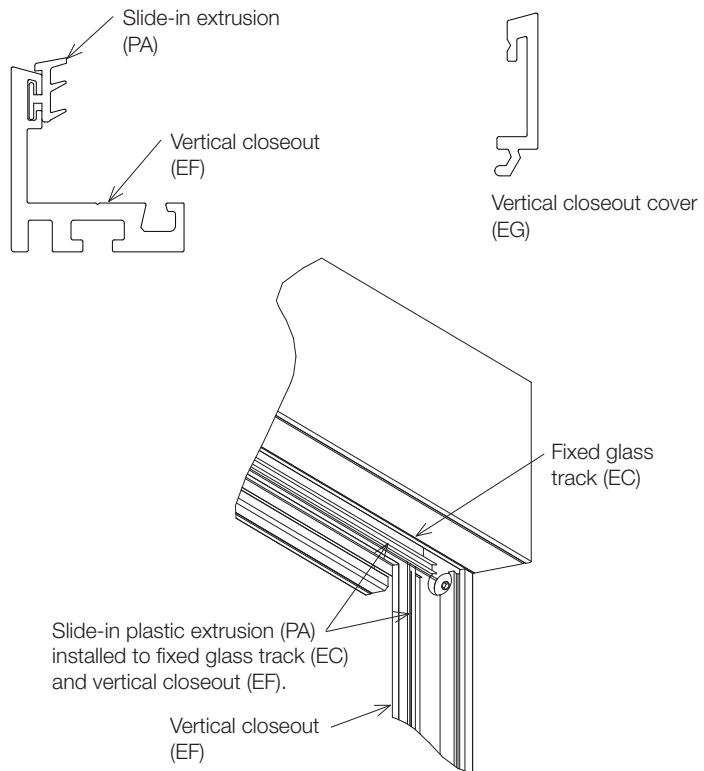
14. Vertical orientation of vertical closeout (EF) slide-in rubber extrusion (PA) should align with overhead fixed glass track.



Rockwell Unscripted Sliding Door to Creative Wall, continued

15. Determine which end of the vertical closeout to cut.

- a. Cut the vertical closeout to it's required height.
- b. Install slide-in extrusion (PA) to vertical closeout (EF). Hold in place with painter's tape until assembly is finished.
- c. Cut the vertical closeout cover (EG) to match the vertical closeout height. Set aside for installation later (step 31).

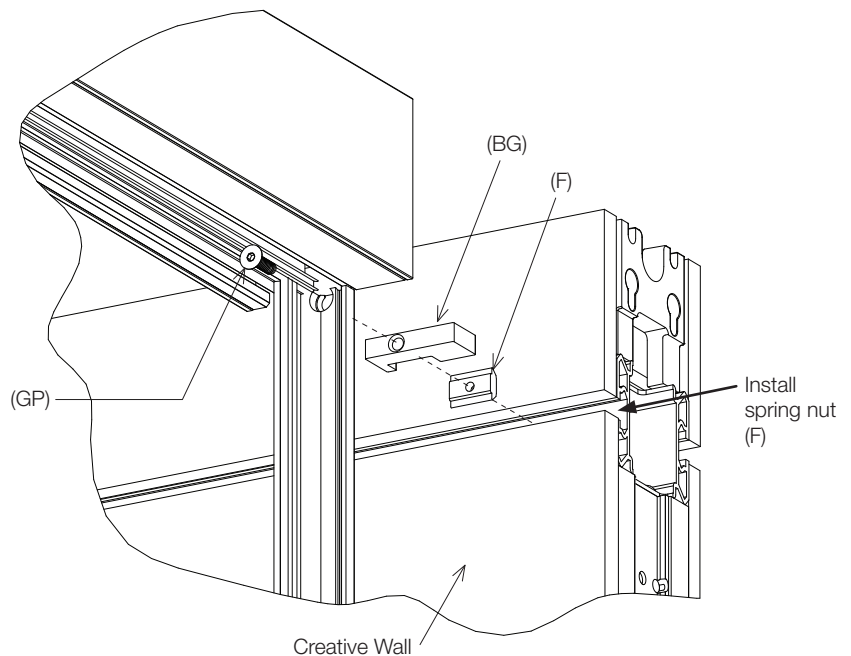


Steps 16-19 for installation direct to Rockwell Creative Wall only

16. Install 2 spring nuts (F) to upper and lower accessory channels on Creative Wall.
17. Position a spacer (BG) to accessory channels over spring nuts (F).
18. Orient vertical closeout (EF) over top of spacer and install screw (GP).
19. Repeat steps 16-18 at bottom of Creative Wall.

Step 20 for installation direct to Creative Wall Posts only

20. Attach vertical closeout with VHB tape (BT).

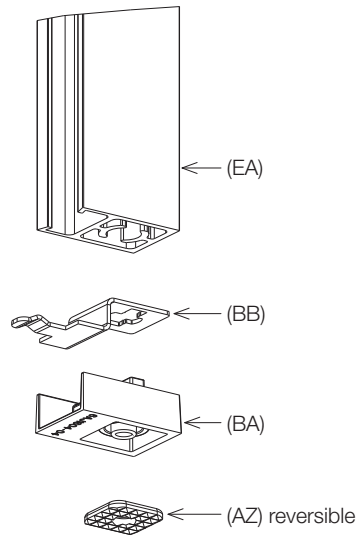


Rockwell Unscripted Sliding Door to Creative Wall, continued

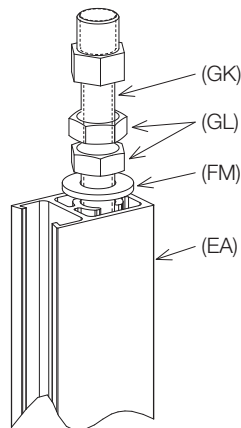
21. Pre-assemble sliding door post

- a. Bottom of post (EA): Install post bumper (AZ), post base (BA), and post bracket (BB) to bottom of post extrusion (EA).

i. Note: Post Bumper (AZ): Use the side that gives the most friction to ground connection. Textured side works best on carpet; smooth side works best with smooth surfaces.



- b. Top of post (EA): Install two nuts (GL) and washer (FM) to post bolt (GK), run all the way to the top, but leave loose.
- c. Set aside sliding door post assembly.

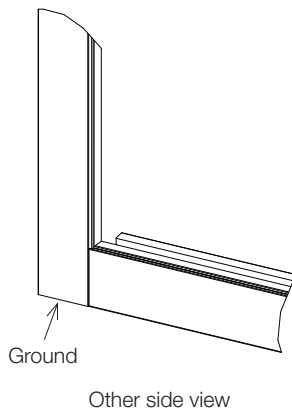
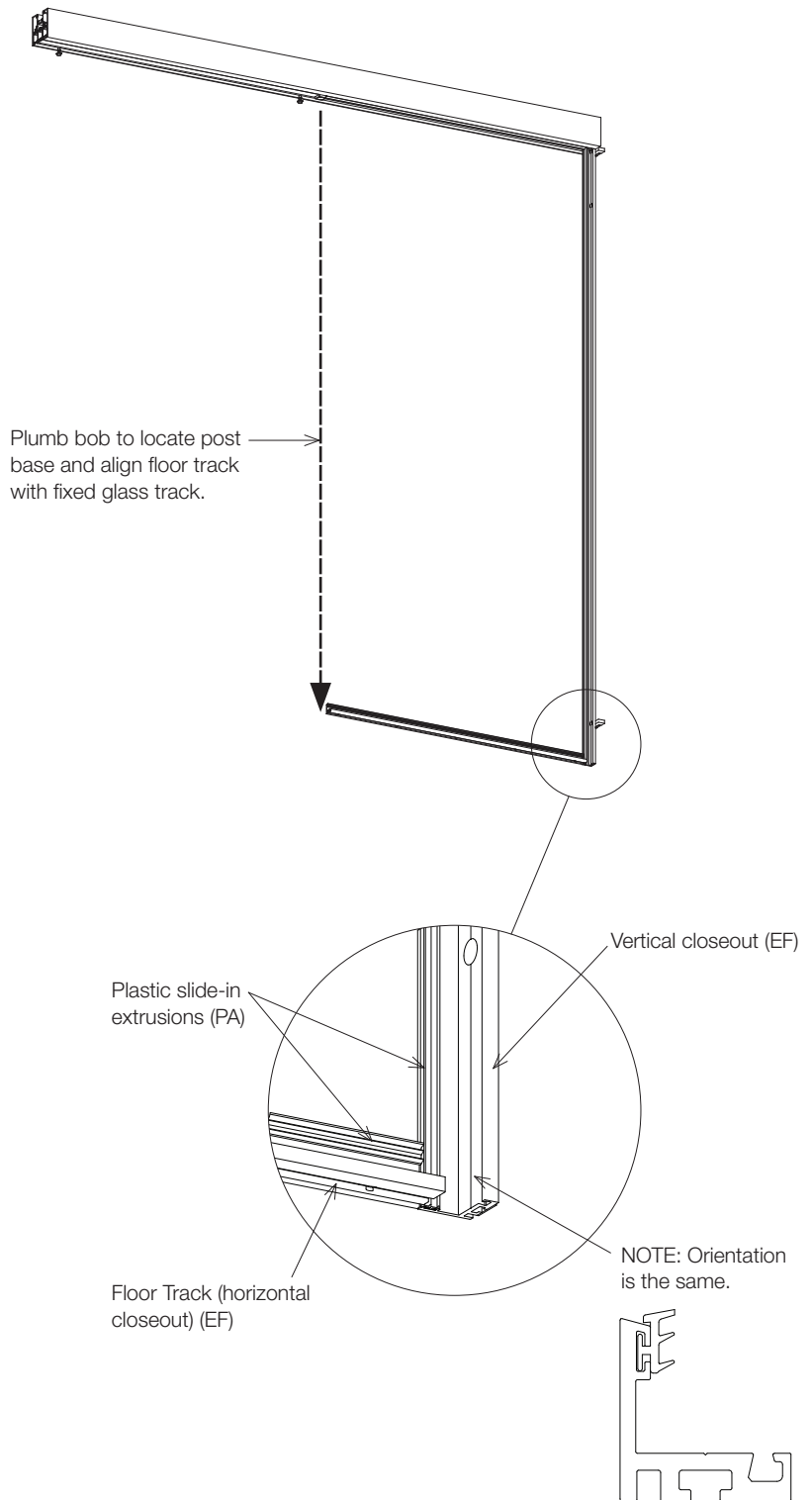


shown assembled

Rockwell Unscripted Sliding Door to Creative Wall, continued

22. Floor track (EF) should be oriented the same as the vertical closeout (EF).

- a. Use a plumb bob to ensure floor track is directly below fixed glass overhead track.
- b. Check height between ground and underside of fixed glass track.
- c. **IMPORTANT:** If the distance between ground and underside of fixed glass track is greater than 86", then add additional plastic spacers (BM) (see step 24c) or utilize shim kit (see step 22d).
- d. (optional) Shim kit UB___ can be used to raise the floor closeout in increments of .125". These can be stacked up to 8 tall (1.00").
 - i. To install shim kit UB___, align pre-drilled holes with floor closeout (EF) and cut to length. Shim pieces may be aligned horizontally and stacked vertically to achieve desired height.



Rockwell Unscripted Sliding Door to Creative Wall, continued

23. Install floor track (EF) to ground.

- a. Fasteners to be specified and supplied by site engineer or contractor assigned to the project.

Install fixed glass

24. Add peel and stick spacers (BM) to vertical closeout (EF) and floor closeout (EF).

- a. The primary function of the spacer (BM) is to act as buffer between glass edges and aluminum extrusions and screw heads.
- b. Spacers (BM) can be cut/trimmed to fit between screw heads.
 - i. Spacers are 11.5" long and can be cut down to minimum 3.5" long as needed.
 - ii. Four spacers should ship with every one piece of fixed glass.
- c. Spacers (BM) are 1/16" thick and can be stacked* to raise the fixed glass for leveling and to increase engagement to top track. (*) maximum 4 spacers tall.
- b. Shim kit UB___ can be used to raise the floor closeout in increments of .125". These can be stacked up to 8 tall (1.00").
 - i. To install shim kit UB___, align pre-drilled holes with floor closeout (EF) and cut to length. Shim pieces may be aligned horizontally and stacked vertically to achieve desired height.

25. Install glass by tipping fixed glass into place.

- a. Minimum fixed glass engagement in overhead fixed glass track (EC) is 5/8". Return to steps 24c and 24d if necessary.
- b. If multiple pieces of fixed glass are being installed, set up with 1/8" gap between each glass pane. If there is any V-gap, use peel and stick spacers (BM) underneath glass to straighten glass if necessary.

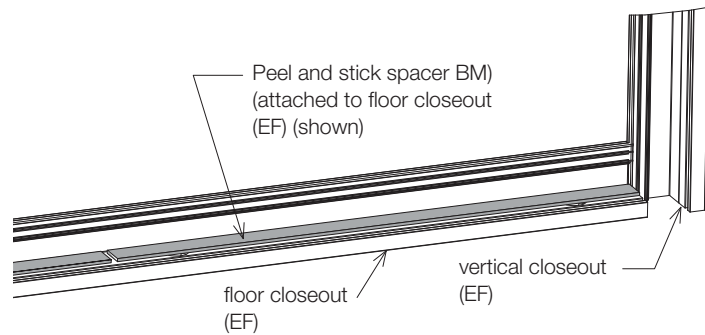


Fig. 24

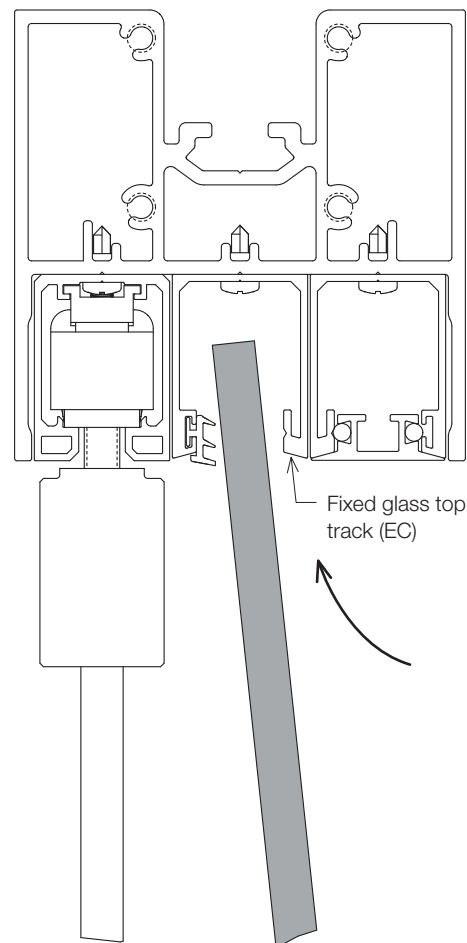


Fig. 25

Rockwell Unscripted Sliding Door to Creative Wall, continued

26. Fit up post assembly to beam.

- a. At top of post: install post bolt (GK) to post mount (AW). Turn into place.
NOTE: this piece is reverse threaded.

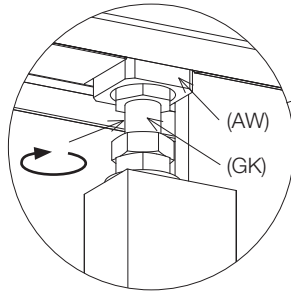


Fig. 26.a

- b. At bottom of post: Post bracket (BB) slides into floor track.

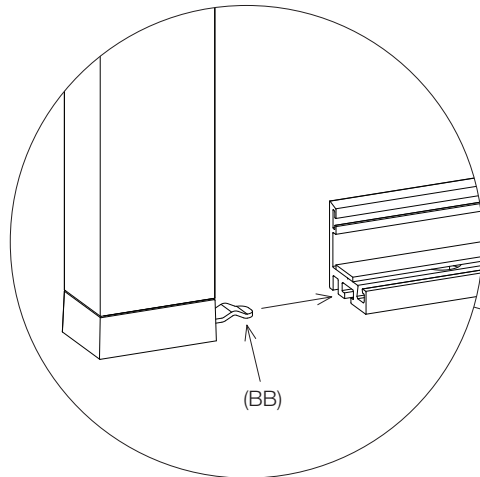
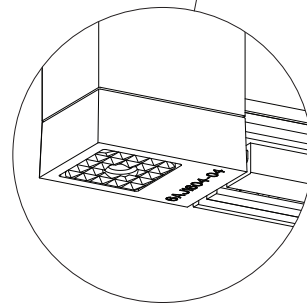
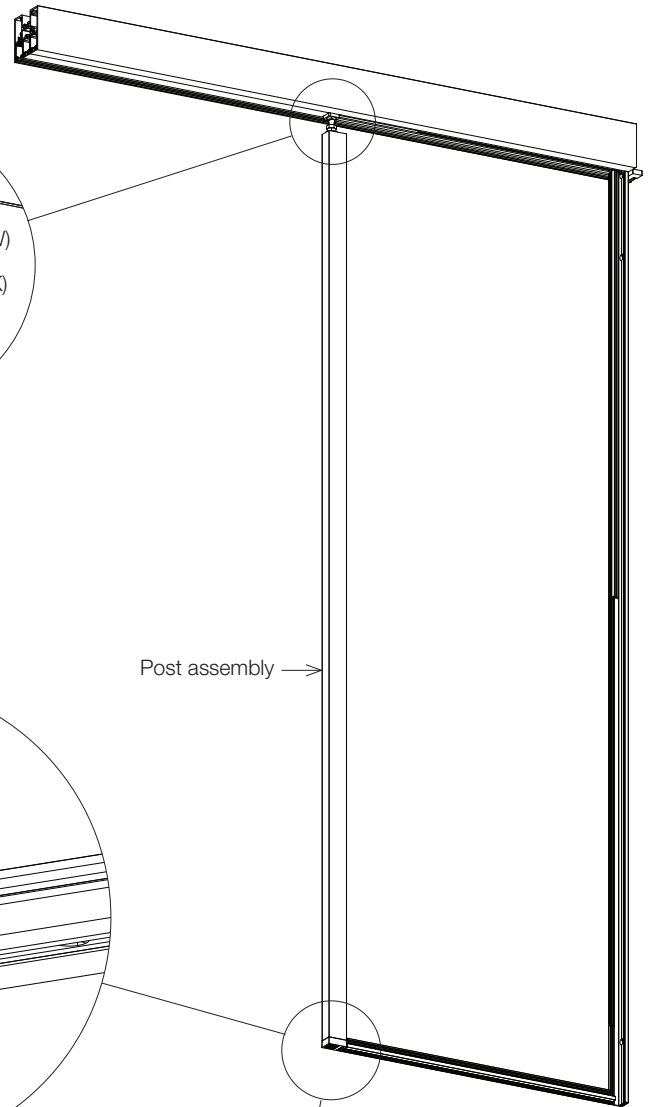


Fig. 26.b

- c. There will be space between the fixed glass and the vertical closeout (EF) and the post (EA).
 - i. Balance these gaps between the fixed glass, vertical closeout (EF), and post (EA).
 - ii. Target 1/8" vertical gap between multiple fixed glass pieces.



Rockwell Unscripted Sliding Door to Creative Wall, continued

27. Verify post (EA) and floor track (EF) are plumb and level.
28. Tighten lower nut (GL) on top of the post to brace the post between the beam and the floor.
 - i. The post should be tight against floor but it should not push the beam up and out of level.
29. Tighten the second nut (GL) to keep first nut in place.
30. Verify overhead beam is level still.

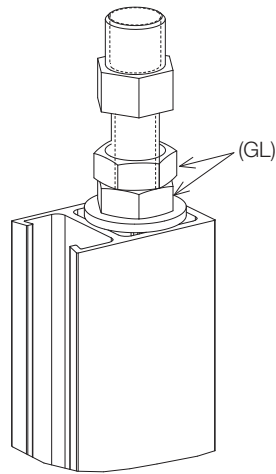


Fig. 28, 29

31. Install fixed glass floor closeout and vertical closeout covers (EG).

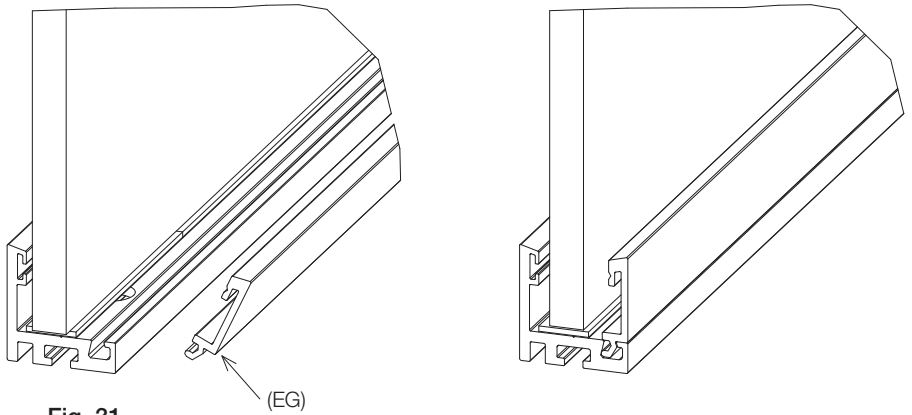
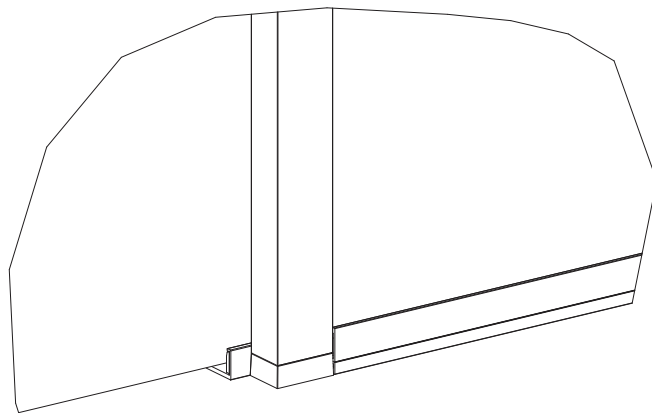


Fig. 31



Rockwell Unscripted Sliding Door to Creative Wall, continued

32. Insert push in extrusion (PC) along floor closeout cover (EG), vertical closeout cover (EG), and fixed glass track (EC).

a. Ridges go toward glass.

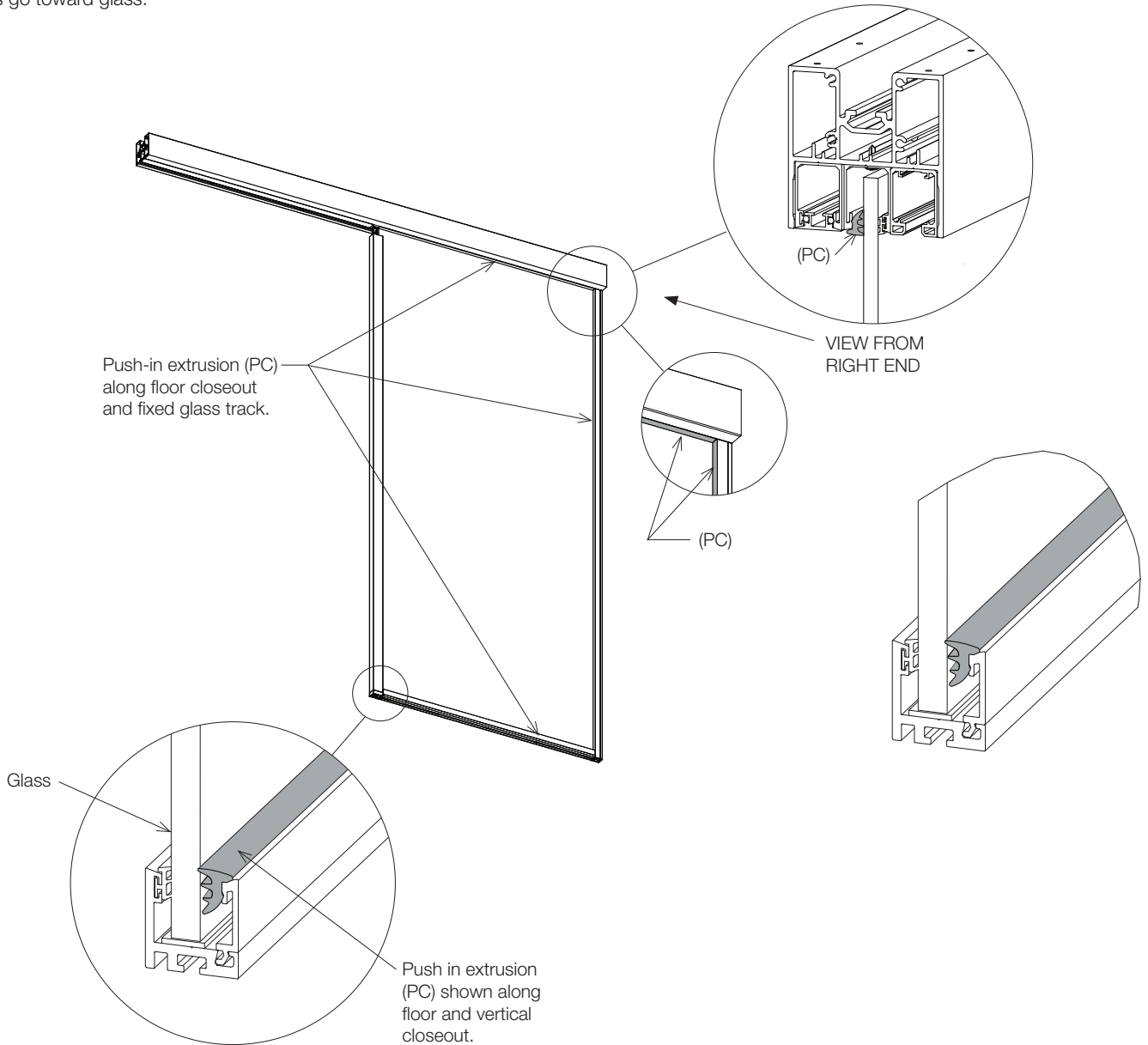
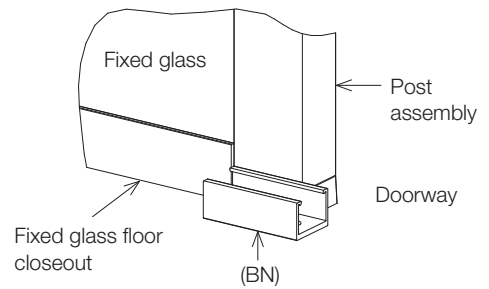
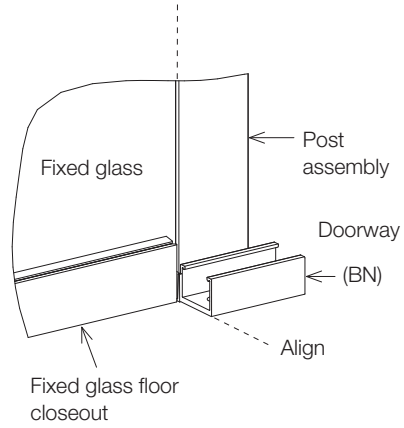


Fig. 32a

Rockwell Unscripted Sliding Door to Creative Wall, continued

Install sliding door:

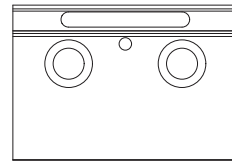
33. Install sliding door floor glide (BN) on floor next to sliding door post.
 - a. Fasteners to be specified and supplied by site engineer or contractor assigned to the project.
 - b. Floor glide (BN) should be aligned with back edge of post and will stick into the doorway about 5/8".



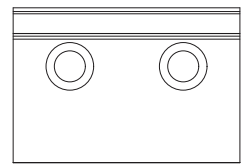
Rockwell Unscripted Sliding Door to Creative Wall, continued

34. Pre-assemble door clamps to glass door.

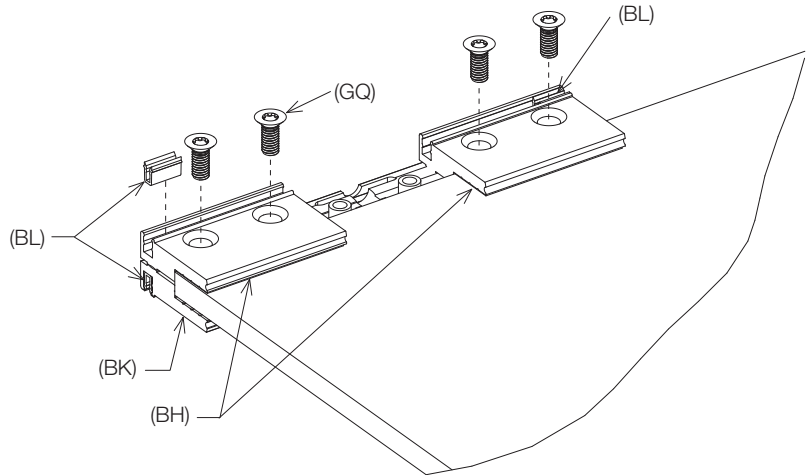
- a. Align large clamp (BK) to edge of glass.
- b. Install two short outer clamps (BH) with no window to large clamp (BK).
- c. Install and tighten four screws (GQ) to 15 Nm torque.
- d. Install four plastic clips (BL) on clamp set as shown.
- e. Repeat Steps 34a-34d on other edge of glass door.



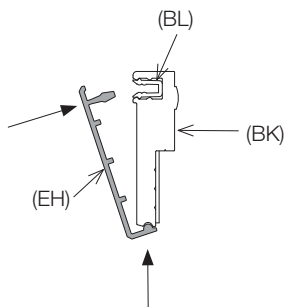
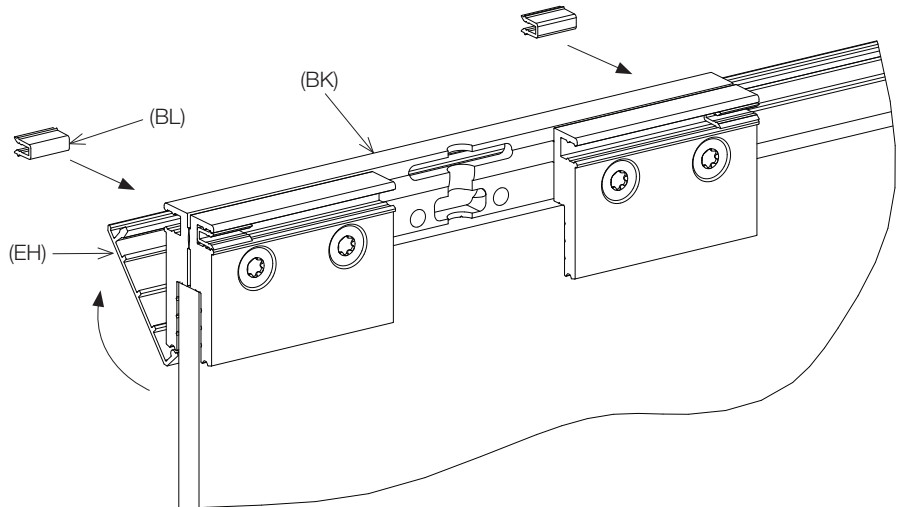
Small inner door clamp (BJ)



Small outer door clamp (BH)



- f. Install valance cover (EH) to large clamps (BK) only at this time.
 - i. Note: Valance covers (EH) are difficult to remove, only install them when the assembly is ready for them.
 - ii. Use rubber mallet to tap into place.



Rockwell Unscripted Sliding Door to Creative Wall, continued

35. Lift pre-assembled glass door into place.

- a. Open side of clamps should be away from fixed glass and post while bottom of glass engages floor glide.

36. Install inner small clamp (BJ) to glass clamp assembly with two screws (GQ) to 15 Nm torque.

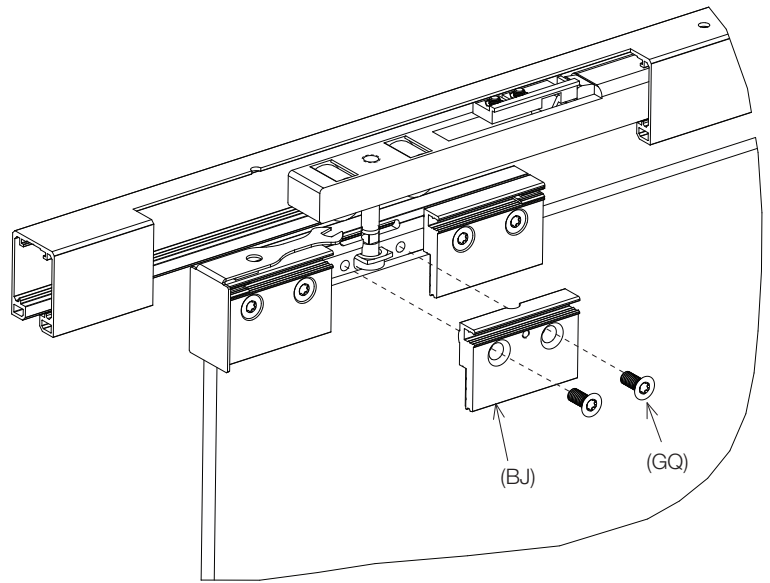
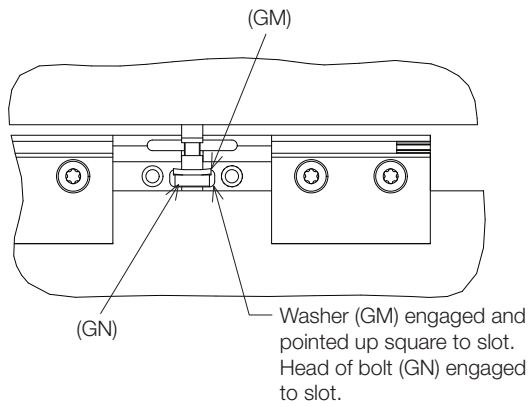


Fig. 36

37. Level glass door by using wrench. End cap (BC) has built in wrench for this operation.

38. Tighten set screw on inner small glass clamp (BJ) to lock in glass vertical position with 2mm hex key.

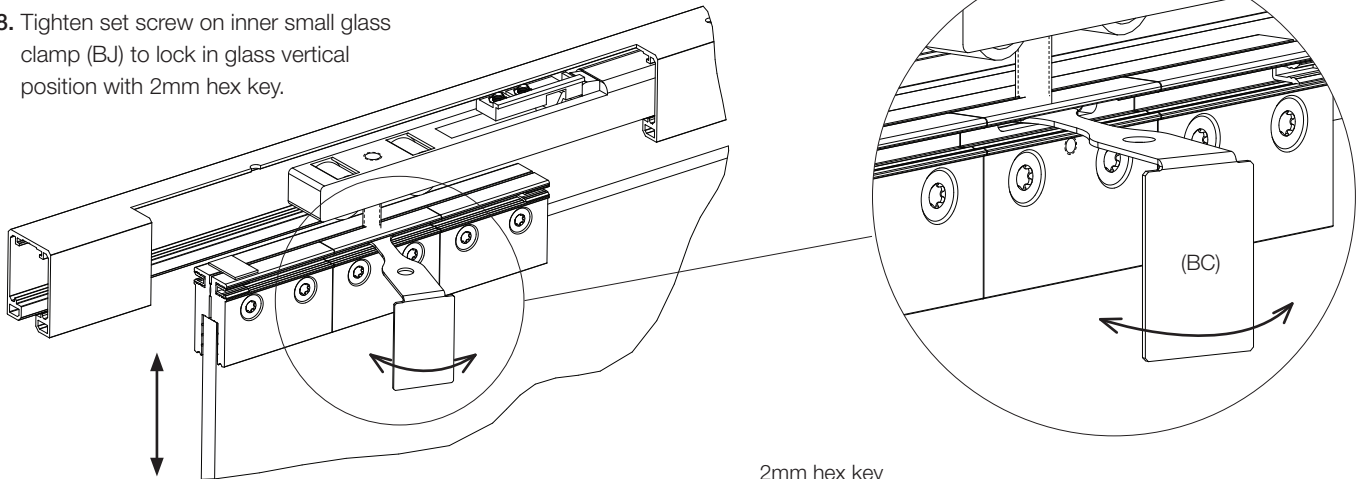
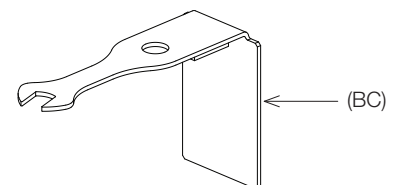
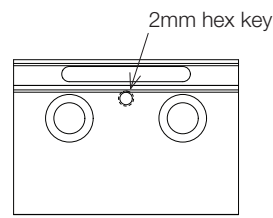


Fig. 38



Rockwell Unscripted Sliding Door to Creative Wall, continued

39. Install plastic spacers A and B (BP, BQ) to sliding glass door floor glide (BN).

- a. One of each plastic spacer (BP and BQ) comes in the small parts box.
- b. Spacer B (BQ) is thicker than spacer A (BP) and installs on the Post side of the sliding glass. Spacers (BP) and (BQ) may be switched if fit is better.

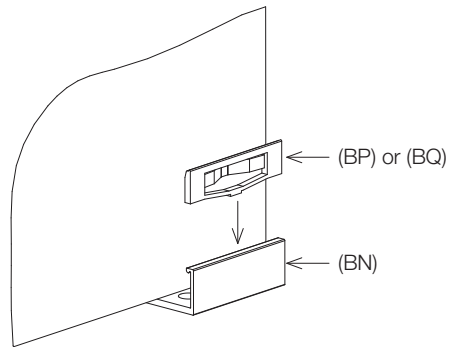


Fig. 39

40. Verify function of door and soft close stops.

41. Verify gaps between fixed glass and vertical closeout (EF) and post (EA).

42. Install sliding glass door top valance (EH) as shown below.

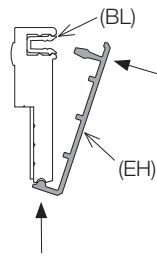
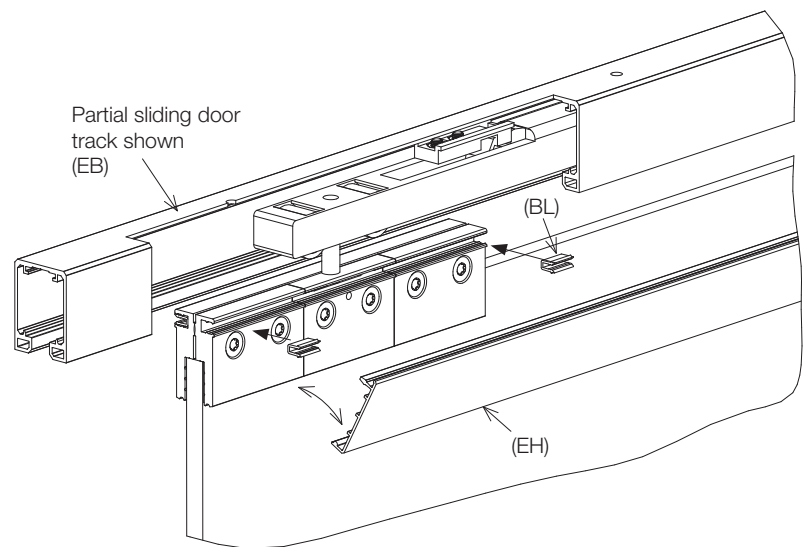


Fig. 42



43. Install end caps (BC) on both sides of the sliding door with VHB tape.

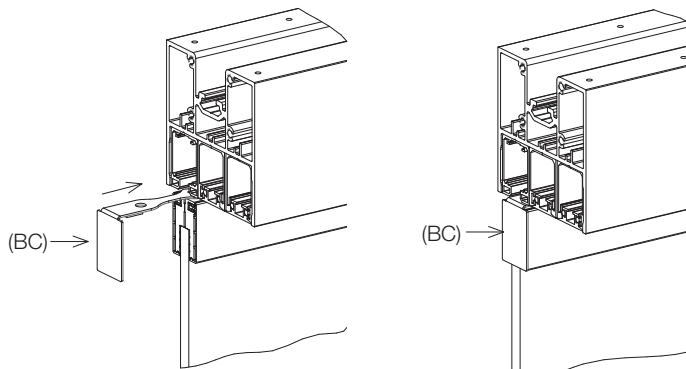
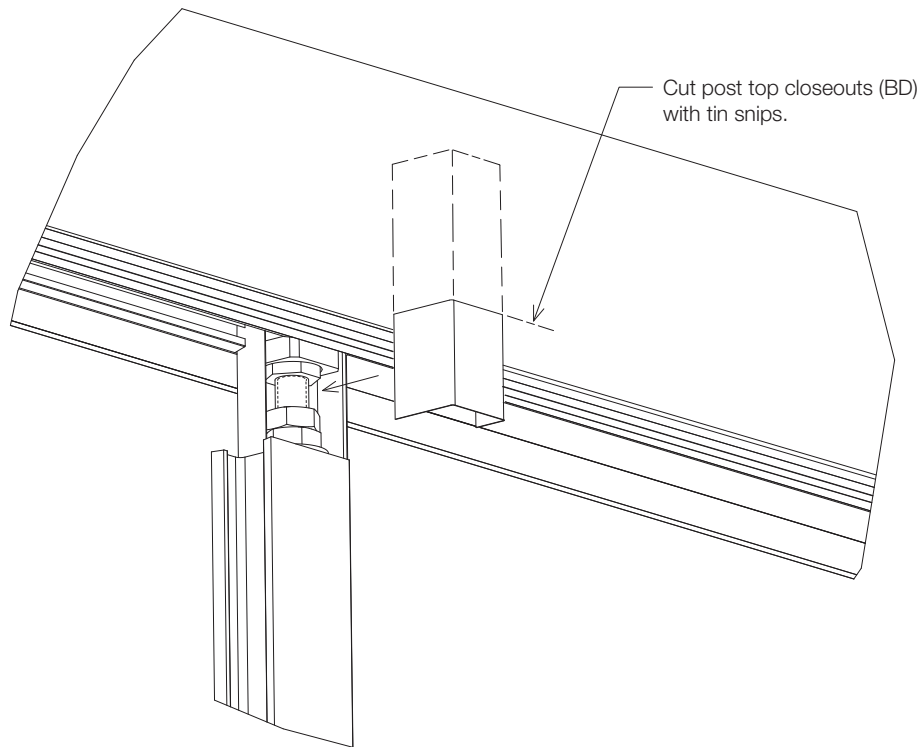


Fig. 43

Rockwell Unscripted Sliding Door to Creative Wall, continued

44. At top of post (EA) assembly, install 2 piece top closeout (BD) in a ying-yang fashion. Use tin snips to cut down to size. Point cut edges up inside beam.



Rockwell Unscripted Sliding Door to Creative Wall, continued

45. Install peel and stick glass handles.

- a. Use provided alcohol wipe to clean glass surfaces before installing.
- b. Clamps recommended to provide alignment.
- c. Bottom of handles are 34" from the floor.
- d. Edge of handles are 2" from edge of glass.
- e. "Klein" logo should be on lower end of handles.

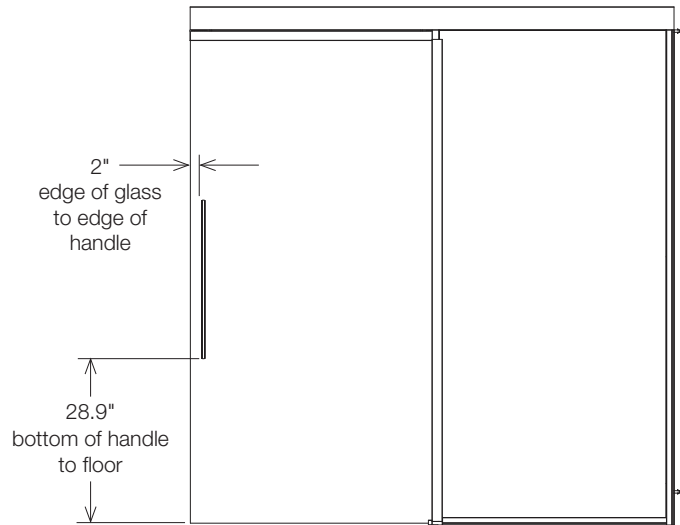


Fig. 45

- ### 46. Install a thin bead of caulk along top edge between fixed glass and push in (PC) extrusion. This is just to hold the push-in extrusion in place over time. Note: Caulk not provided by Knoll.

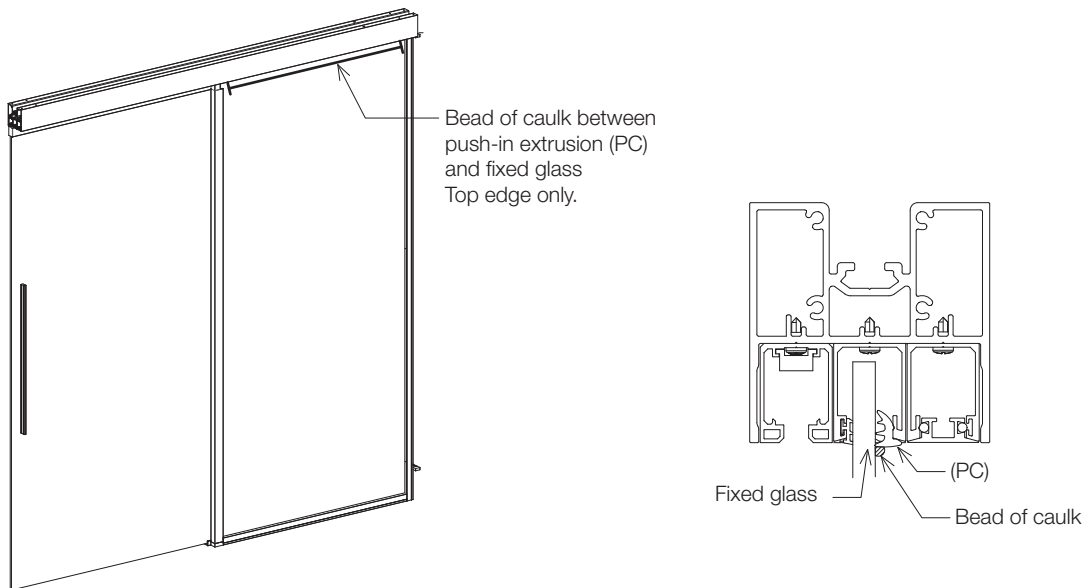
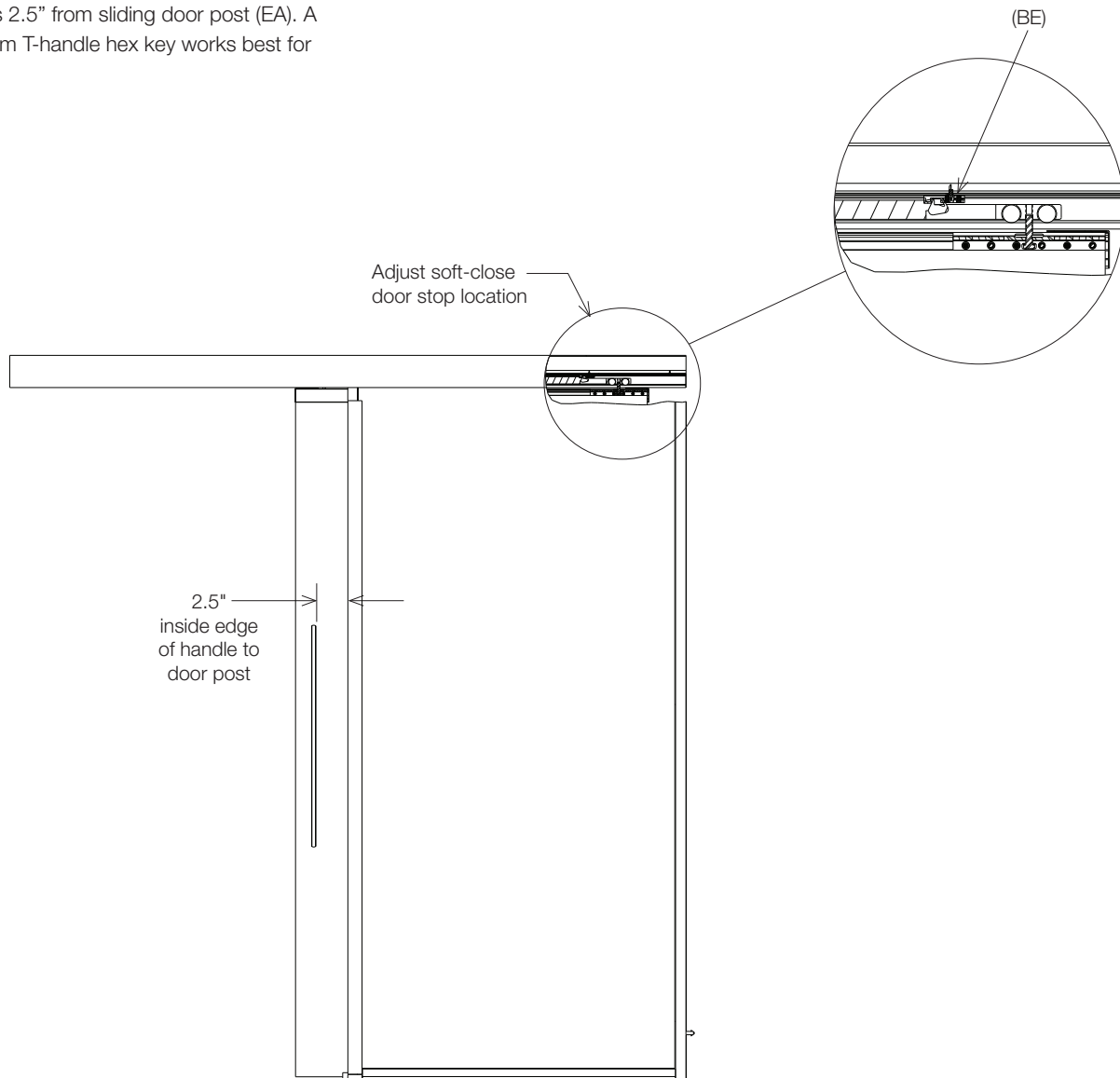


Fig. 46

Rockwell Unscripted Sliding Door to Creative Wall, continued

47. Adjust open door stop (BE) so that handle stops 2.5" from sliding door post (EA). A 2.5mm T-handle hex key works best for this.



DISASSEMBLY FOR RECYCLING

Materials Identification and Segregation:

Where possible plastic components are marked with ASTM recycling codes. Use these codes to identify material type for recycling. Non-marked components should be treated as mixed plastic. Ferrous metals can be identified using a small magnet for recycling. Non-ferrous metals should be separated and recycled separately.

To disassemble product, reverse the above installation steps.